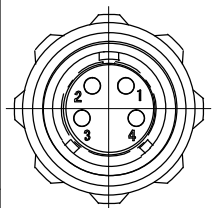
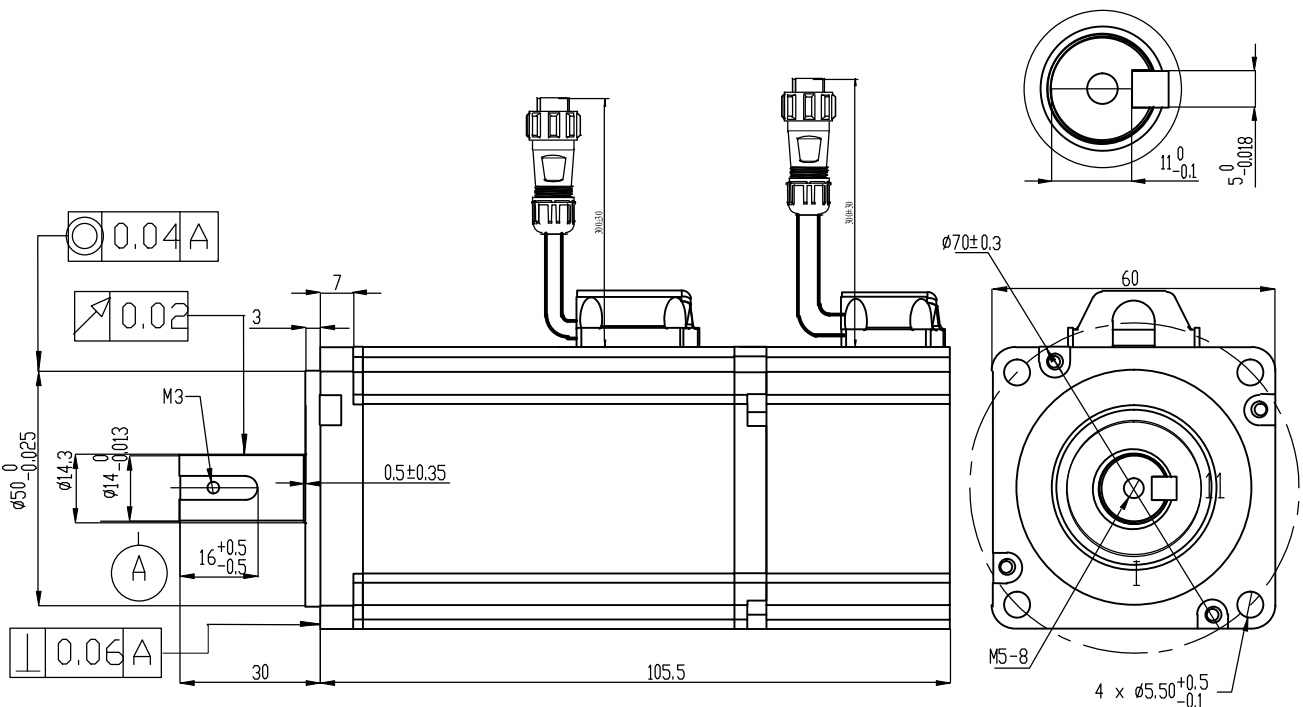


2020.11.26

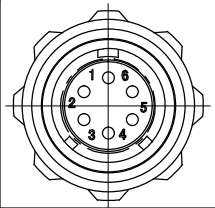
Rated Voltage (Vac)	200-220
Rated Power (w)	400
Rated Torque (N.m)	1.27
Peak Torque (N.m)	3.81
Rated Speed (rpm)	3000
Peak Speed (rpm)	5000
Rated Current (Amp)	2.8
Peak Current (Amp)	8.4
Torque Const (N.m/Amp)	0.477
Back EMF Const (V/krpm)	30.2
Resistance (Ω)	3.07
Inductance (mH)	11.5
Inertia (kg*m ² *10 ⁻⁴)	0.436
Poles	10
Encoder type	17bit single-turn
Protection level	IP54
Weight	1.42



Wiring details of Power cable connector				
Pos	1	2	3	4
Signal	U	W	V	PE
Color	blue	red	black	Yel/Gre

Connector Code Of Extension Cable Side			
Connector	Winding Connector	Encoder Connector	Brake Connector
Type	GM-1311/S-4B	GM-1311/S-6A	--

Connector Code Of Motor Side			
Connector	Winding Connector	Encoder Connector	Brake Connector
Type	GM-1310/P-4B	GM-1310/P-6A	--



Wiring details of encoder cable connector							
Pos	1	2	3	4	5	6	7
Signal	PE	5V	0V	SD+	SD-	--	--
Color	shield	white	black	blue	purple	--	--

Leadshine Technology Co .Ltd

ELM0400FM60H-HH2 MS20

60mm, medium inertia, 400w servo motor
17bit incremental encoder, no brake

www.leadshine.com